

High-Tech Tweezers for Laboratory Requirements

Evolution is what the Rubis development engineers call it when they harmonize ultra-modern technology and traditional Swiss precision engineering in their ground-breaking precision instruments. Continuous innovation in recent years has enabled the premium label//brand to ready its classic tweezers to meet new and exacting demands. With three new developments at once, the experts from South Switzerland are back on the pioneering track: exclusive high-tech surfaces offer substantial added utility and clear customer benefits.

Ultra-modern nanotechnology closes even the tiniest of pores on the surface of the Nano tweezers. The instrument itself, as all Rubis tweezers, is made from extremely high-grade surgical stainless steel. The Lotus effect, engineered by the nanotechnology, causes dirt, oil, water and other liquids to simply pearl off the steel. This keeps the tweezers perfectly clean, a beneficial feature particularly in a sensitive laboratory setting.

However, the need for hygiene is no longer limited to what the eye can see. Rubis has come up with a unique solution to meet just such exacting requirements in the form of the Ion tweezers. The innovative special coating of the Ion model releases silver ions, which act as an antimicrobial to reliably neutralise bacteria, germs and other pathogens. Unlike other methods, the use of ion technology does not give rise to any resistance. Consequently, it represents a risk-free method of guaranteeing hygiene, even at workstations where instruments are used by several different people.

The third innovation really does "get a grip" on things. The special soft coating of the new Grip tweezers not only provides a non-slip grip, it also improves the handling perceptibly. The easy-grip, soft-touch coating prevents hand fatigue, provides isolation and protects against the influence

of heat.

The latest innovation aims for a considerably longer service life. Durax™ tweezers with a tip as hard as 616HV Vickers-hardness are 6 x harder than the tip of a standard stainless steel tweezers. Even with intensive use Rubis Durax™ tweezers retain their original precision. The advanced material properties guarantee higher resistance against normal wear and tear.

The Nano, Ion, Grip and Durax™ tweezers are available exclusively from Rubis. Already operating globally in the watch-making and electronics industries and in the medicine and cosmetics sectors for the past 60 years, these innovations give Rubis a strong point of departure to enter the laboratory products market. "We are highly specialised, possess unique expertise and offer our customers a product programme tailor-made to suit their exacting requirements," explains Fides Baldesberger, proprietor of Rubis. "And this goes for the laboratory products segment now, too." To constantly guarantee the first-rate quality of the products, each hand-made precision instrument and all its details are meticulously checked under magnifier glasses before leaving the workshop. In typical Swiss style, of course: As Fides Baldesberger puts it, "Only tweezers that pass this test carry the Rubis quality label//brand".

The company

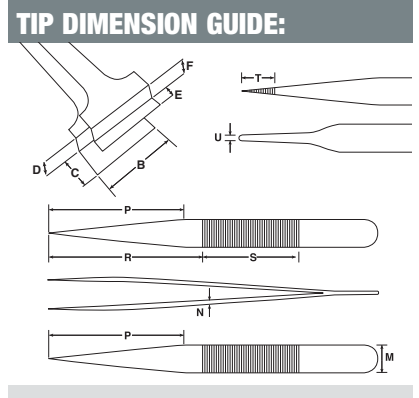
Rubis is a leading international manufacturer of hand-made precision instruments. The Swiss premium label//brand has been manufacturing and developing high-grade precision instruments in the tradition of Swiss precision engineering at its workshops in Stabio for more than 60 years. Besides boasting an extensive product portfolio, Rubis also makes tools to its customers' own specifications. Although Rubis tweezers were initially manufactured exclusively for the Swiss watch industry, the products are now employed across the globe in a wide range of applications in the electronics industry, in R&D labs, in medicine and in cosmetics. Rubis products are regularly honoured with international awards for the quality of their materials, finish and design. Elaborate handwork, ultra-modern technology, the best raw materials, functional precision and aesthetic form put Rubis in a class of its own.

Hand Crafted Precision Tweezers

More than sixty years ago, the first precision tweezers were developed to place ruby stones into watch movements. Since then the brand Rubis has continued to represent precision tools made to authentic Swiss quality standards.

The quality of Rubis product is the result of applying a combination of the latest technology with speed and superior traditional workmanship. Each tweezers is finished by hand under a loupe, to guarantee perfect tips alignment and Swiss top quality. Ideal span, high stability, an ergonomically correct form and resilience of material - best surgical stainless steel, antacid and non-magnetic - accounts for effectiveness and precision.

State-of-the-art technologies and novel materials have been studied for the development of new, extraordinary and innovative products. Tweezers are a simple tool - yet demanding in their specifications. They require continuous engineering and development to keep pace with their applications for the newest and ever changing technologies.



Electron Microscopy Sciences is proud to offer the complete line of Rubis laboratory tweezers:

■ Standard SA Steel Tweezers
 ■ Rubis Reinforced Plastic Tweezers

■ Rubis Wafer Tweezers
 ■ Nano-Tweezers
 ■ Ion Tweezers

■ Grip Tweezers
 ■ Durax
 ■ Axial

RUBIS TWEEZERS

Rubis Standard SA Steel Tweezers

With more than fifty years of experience, RUBIS tweezers represents authentic Swiss quality. The material used in these tweezers is SA steel, which is acid-proof, stainless steel, 100% antimagnetic and it is resistant to HF and nitric acid.

III Style 00B

Thick and flat, medium sharp and strong tips. Ideal for heavy-duty use. Serrated handle. Length 110mm (4½")

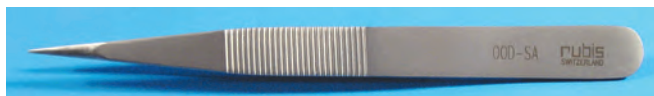
78130-01	Rubis #00B Tweezers	each
78130-12	Rubis #00B Tweezers	dozen



III Style 00D

Same as #00B above with serrated tips and handle. Length 120mm (4¾")

78131-01	Rubis #00D Tweezers	each
78131-12	Rubis #00D Tweezers	dozen



III Style 3L

Very sharp, well-groomed points with fine finish. Comes with a unique finger actuated locking device. Length 110mm (4½")

78135-01	Rubis #3L Tweezers	each
78135-12	Rubis #3L Tweezers	dozen



技术咨询与报价

电话: 18823303057 QQ:2104028976

III Style 5

Super fine points. Length 110mm (4½")

78138-01	Rubis #5 Tweezers	each
78138-12	Rubis #5 Tweezers	dozen



III Style 5L

Same as #5 but comes with finger actuated locking device. Length 110mm (4½")

78139-01	Rubis #5L Tweezers	each
78139-12	Rubis #5L Tweezers	dozen



III Style 5B

Same as #5, but with 35 degree curved tips. Length 110mm (4½")

78140-01	Rubis #5B Tweezers	each
78140-12	Rubis #5B Tweezers	dozen



III Style 5C

Same as #5, but with round curved tips. Length 110mm (4½")

78141-01	Rubis #5C Tweezers	each
78141-12	Rubis #5C Tweezers	dozen



III Style H

Short and wide with fine tips. Length 90mm (3½")

78150-01	Rubis H Tweezers	each
78150-12	Rubis H Tweezers	dozen



III Style Oc9

Short, flat and fine points. Length 90mm (3½")

78152-01	Rubis Oc9 Tweezers	each
78152-12	Rubis Oc9 Tweezers	dozen



III Style 3M

Pointed, thin and fine mini-tweezers. Length 70mm (2¾")

78154-01	Rubis 3M Tweezers	each
78154-12	Rubis 3M Tweezers	dozen



Rubis High Tech Tweezers for Laboratory Requirements

The Resistant Tweezers

With a 616HV Vickers-hardness, the tip of Rubis DURAX™ tweezers is six times harder than the tip of a standard steel tweezers. Even with intensive use, Rubis DURAX™ tweezers retain their original precision. The advanced material properties guarantee higher resistance against normal wear and tear, providing a considerably longer service life. Their specially-hardened chrome-magnesium steel is also used in the manufacture of surgical instruments.

III Style 0



Catalog No.	OAL mm	M mm	N mm	P mm	U mm	Qty.
78149-0	120	10.00	1.50	51.00		each

III Style 4



Catalog No.	OAL mm	M mm	N mm	P mm	U mm	Qty.
78149-4	110	10.00	1.50	30.00		each

III Style 0C11



Catalog No.	OAL mm	M mm	N mm	P mm	U mm	Qty.
78149-0C11	110	9.00	1.50	47.00		each

III Style 5



Catalog No.	OAL mm	M mm	N mm	P mm	U mm	Qty.
78149-5	120	10.00	1.50	30.00		each

III Style 1

技术咨询与报价
电话: 18823303057 QQ:2104028976



Catalog No.	OAL mm	M mm	N mm	P mm	U mm	Qty.
78149-1	120	10.00	1.50	50.00		each

III Style 5A



Catalog No.	OAL mm	M mm	N mm	P mm	U mm	Qty.
78149-5A	115	10.00	1.50	34.00		each

III Style 2



Catalog No.	OAL mm	M mm	N mm	P mm	U mm	Qty.
78149-2	115	10.00	1.50	34.00		each

III Style 7



Catalog No.	OAL mm	M mm	N mm	P mm	U mm	Qty.
78149-7	120	11.00	1.50	34.00		each

III Style 2A



Catalog No.	OAL mm	M mm	N mm	P mm	U mm	Qty.
78149-2A	120	10.00	1.50	35.00	2.00	each
	120	8.00	1.50	82.00		each

III Style 7E



Catalog No.	OAL mm	M mm	N mm	P mm	U mm	Qty.
78149-7E	115	10.00	1.50	34.00		each

III Style 3



Catalog No.	OAL mm	M mm	N mm	P mm	U mm	Qty.
78149-3	120	10.00	1.50	50.00		each

III Style F



Catalog No.	OAL mm	M mm	N mm	P mm	U mm	Qty.
78149-F	120	10.00	1.50	33.00	2.50	each

III Style 3C



Catalog No.	OAL mm	M mm	N mm	P mm	U mm	Qty.
78149-3C	110	9.00	1.50	43.00		each

III Style SS

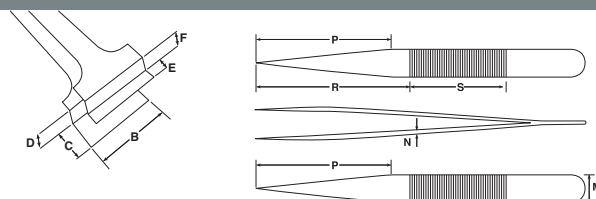


Catalog No.	OAL mm	M mm	N mm	P mm	U mm	Qty.
78149-SS	135	8.00	1.50	82.00		each

RUBIS TWEEZERS

Wafer Tweezers

Made from SA steel with serrated handles. These tweezers are specially designed to handle different fragile and delicate materials of gallium or silicon wafers. They have a smooth polished non-glare surface with a satin finish. The tweezers have stopping pins turned up on lateral edges and graduated lower paddles prevent the wafer from slipping. The tweezers are also available in Peek material. Peek: An ESD Safe, 10°Ω x cm. Soft, conductive fiber, with heat resistance up to 250°C (short exposure 300°C). (Not compatible with nitric and sulfuric acids.)



III Style 2LB/4

No teeth.



Catalog No.	Description	OAL mm	B mm	C mm	D mm	E mm	F mm	M mm	N mm	R mm	S mm	Qty.
78220-01	Rubis Tweezer Style 2LB/4	128	12.50	8.00	3.00	2.00	4.00	9.00	2.00	48.00	42.00	each

III Style 39S-4

4 teeth, lower paddle perforated.

技术咨询与报价
电话: 18823303057 QQ:2104028976



Catalog No.	Description	OAL mm	B mm	C mm	D mm	E mm	F mm	M mm	N mm	R mm	S mm	Qty.
78225-01	Rubis Tweezer Style 39S	128	12.50	10.00	—	2.00	6.00	9.00	1.50	48.00	42.00	each

III Style 41LB-2

2 teeth. Flat lower paddle.



Catalog No.	Description	OAL mm	B mm	C mm	D mm	E mm	F mm	M mm	N mm	R mm	S mm	Qty.
78226-01	Rubis Tweezer Style 41LB-2	128	6.00	7.00	—	2.00	3.00	9.00	1.50	52.00	42.00	each

III Style 41LB-5

5 teeth. Flat lower paddle.



Catalog No.	Description	OAL mm	B mm	C mm	D mm	E mm	F mm	M mm	N mm	R mm	S mm	Qty.
78229-01	Rubis Tweezer Style 41LB-5	132	16.00	9.00	—	2.00	3.00	11.00	2.00	52.00	42.00	each

III Style 42LB6

6 teeth. Step up lower paddle



Catalog No.	Description	OAL mm	B mm	C mm	D mm	E mm	F mm	M mm	N mm	R mm	S mm	Qty.
78237-01	Rubis Tweezer Style 42LB6	130	19.50	8.00	3.00	3.00	4.00	11.00	2.00	52.00	42.00	each

III Style 43LB-8-Peek

Clean-room compatible.



Catalog No.	Description	OAL mm	B mm	C mm	D mm	E mm	F mm	M mm	N mm	R mm	S mm	Qty.
78239-01	Rubis Tweezer Style 43LB-8-Peek	138	27.00	21.00	4.00	6.00	5.00	11.00	1.50	61.00	35.00	each

III Style 43LB-4-Peek

Clean-room compatible.



Catalog No.	Description	OAL mm	B mm	C mm	D mm	E mm	F mm	M mm	N mm	R mm	S mm	Qty.
78240-0	Rubis Tweezer Style 43LB-4-Peek	138	13.00	21.00	4.00	6.00	5.00	11.00	1.50	61.00	35.00	each

III Style 43LB-10

10 teeth. Flat lower paddle with opening controller.



Catalog No.	Description	OAL mm	B mm	C mm	D mm	E mm	F mm	M mm	N mm	R mm	S mm	Qty.
78241-01	Rubis Tweezer Style 43LB-10	190	33.50	20.00	7.00	2.00	3.00	13.00	2.00	77.00	42.00	each

Rubis High Tech Tweezers for Laboratory Requirements

Rubis Axal Tweezers

The Axal™ line is made from High Cobalt Chromium-Molybdenum Alloy. With a high Vickers hardness, 100% antimagnetic and acid resistant, these tweezers supply long lasting durability and are practically wearproof.

III Style SS

135 mm (5 1/8") Long. M = 8 mm (5/8")
N = 1.5 mm (1/16") P = 82 mm (3 1/4")



78147-SS Axal™ SS Tweezer each

III Style 1

120 mm (4 3/4") Long. M = 10 mm (1/2")
N = 1.5 mm (1/16") P = 50 mm (2")



78147-1 Axal™ Style 1 Tweezer each

III Style 3

120 mm (4 3/4") Long. M = 10 mm (1/2")
N = 1.5 mm (1/16") P = 50 mm (2")



78147-3 Axal™ Style 3 Tweezer each

III Style 3C

110 mm (4 1/8") Long. M = 9 mm (5/8")
N = 1.5 mm (1/16") P = 43 mm (1 3/8")



78147-3C Axal™ Style 3C Tweezer each

III Style 0

120 mm (4 3/4") Long. M = 10 mm (1/2")
N = 1.5 mm (1/16") P = 51 mm (2")



78147-0 Axal™ Style 0 Tweezer each

III Style 0C 11

110 mm (4 1/8") Long. M = 9 mm (5/8")
N = 1.5 mm (1/16") P = 47 mm (1 3/4")



78147-0C11 Axal™ Style 0C11 Tweezer each

III Style 4AB

110 mm (4 1/8") Long. M = 10 mm (1/2")
N = 1.5 mm (1/16") P = 30 mm (1 1/8")



78147-4AB Axal™ Style 4AB Tweezer each

III Style F

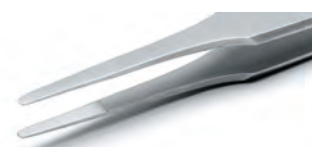
120 mm (4 3/4") Long. M = 10 mm (1/2")
N = 1.5 mm (1/16") P = 33 mm (1 1/4")



78147-F Axal™ Style F Tweezer each

III Style 2A

120 mm (4 3/4") Long. M = 10 mm (1/2")
N = 1.5 mm (1/16") P = 35 mm (1 3/8")
U = 2 mm (1/2")



78147-2A Axal™ Style 2A Tweezer each

III Style 2

115 mm (4 1/2") Long. M = 10 mm (1/2")
N = 1.5 mm (1/16") P = 34 mm (1 1/8")



78147-2 Axal™ Style 2 Tweezer each

III Style 5

120 mm (4 3/4") Long. M = 10 mm (1/2")
N = 1.5 mm (1/16") P = 30 mm (1 1/8")



78147-5 Axal™ Style 5 Tweezer each

III Style 4

110 mm (4 1/8") Long. M = 10 mm (1/2")
N = 1.5 mm (1/16") P = 30 mm (1 1/8")



78147-4 Axal™ Style 4 Tweezer each

III Style 5A

115 mm (4 1/2") Long. M = 10 mm (1/2")
N = 1.5 mm (1/16") P = 34 mm (1 1/8")



78147-5A Axal™ Style 5 Tweezer each

III Style 7

120 mm (4 3/4") Long. M = 11 mm (1/2")
N = 1.5 mm (1/16") P = 34 mm (1 1/8")



78147-7 Axal™ Style 7 Tweezer each

III Style 7A

115 mm (4 1/2") Long. M = 10 mm (1/2")
N = 1.5 mm (1/16") P = 34 mm (1 1/8")



78147-7A Axal™ Style 7A Tweezer each